

Reg. No.

--	--	--	--	--	--	--	--	--	--

**SIDDHARTH INSTITUTE OF ENGINEERING & TECHNOLOGY:: PUTTUR**  
**(AUTONOMOUS)**  
**B.Tech II Year I Semester Supplementary Examinations November-2020**  
**MACHINE DRAWING**  
(Mechanical Engineering)

Time: 4 hours

Max. Marks:60

**Section – I**

**(Answer any two questions, 2 x 4 = 8)**

1. Sketch the conventional representation of the following materials:
  - a) Metals,
  - b) Glass
2. Sketch the conventional representation of the following:
  - a) Cylindrical tension spring
  - b) Worm
3. Sketch the
  - a) ACME thread profiles for a pitch 30mm.
  - b) Buttress thread profiles for a pitch 30mm

**Section – II**

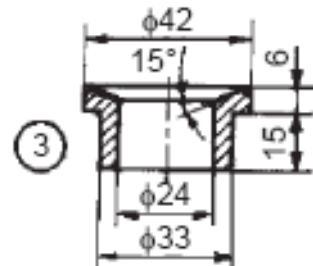
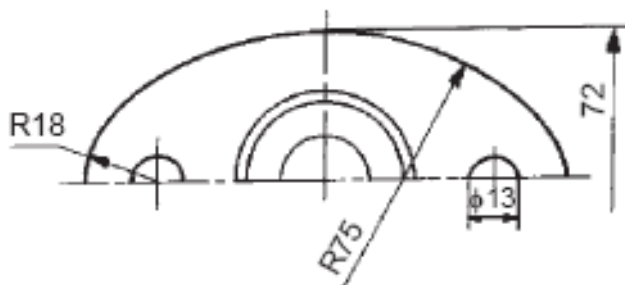
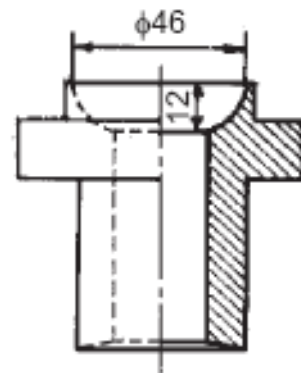
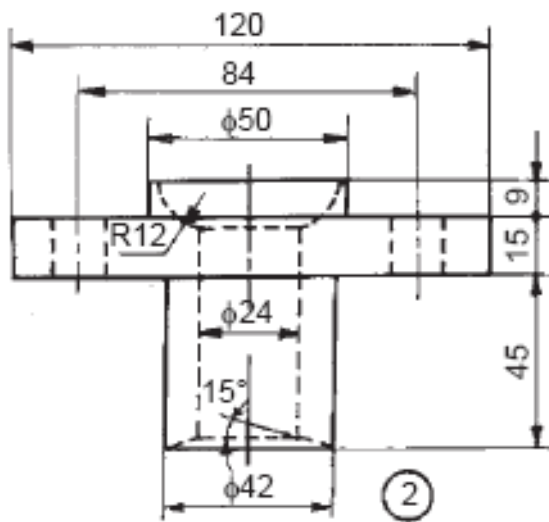
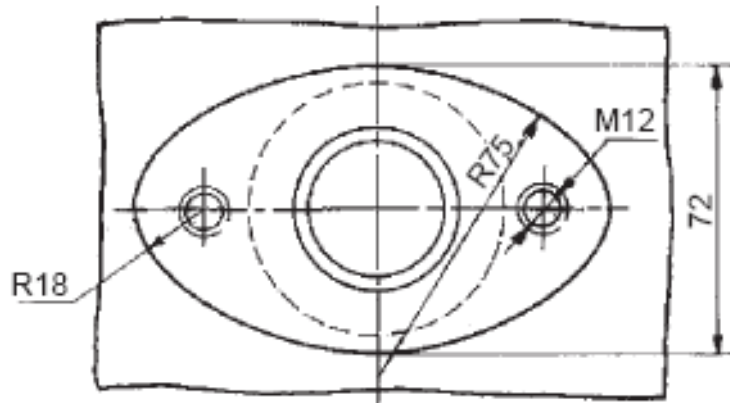
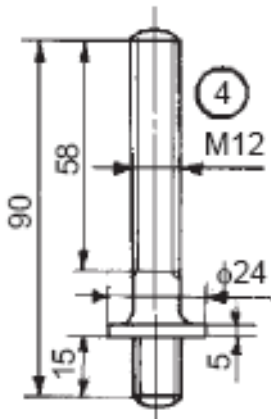
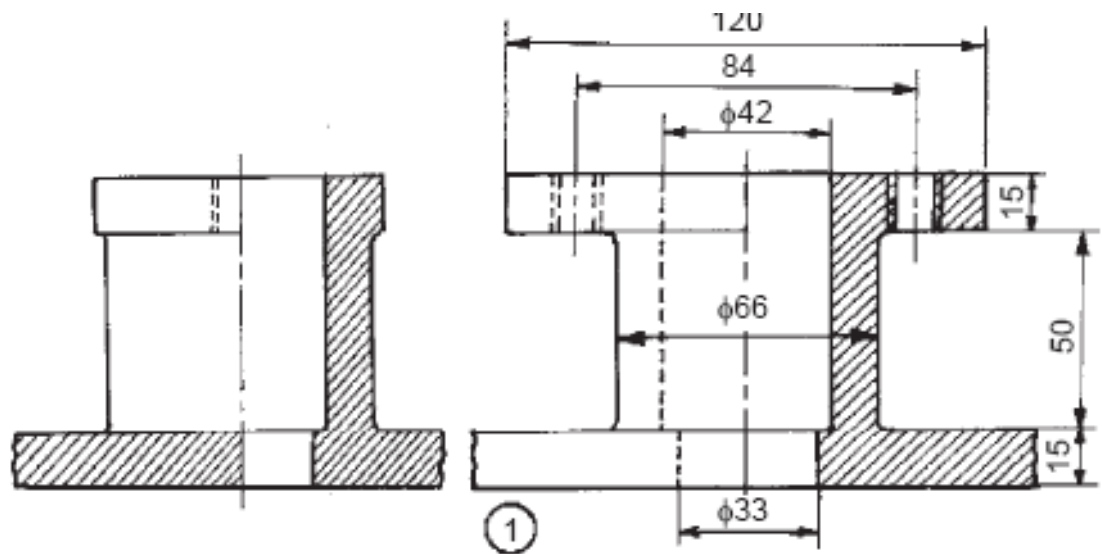
**(Answer any two questions, 2 x 8 = 16)**

4. Draw the sectional view from the front, and view from the side of a cotter joint with sleeve used to connect two rods of 30mm diameter each.
5. Draw the Flange coupling to connect to shafts of 20 mm diameter.
6. Sketch one view of knuckle joint.

**Section – III**

**(Compulsory Questions, 1 x 36 = 36)**

7. Assemble all parts of the stuffing box for a vertical steam engine, shown in Fig. and Draw its
  - (i) Half sectional view from the front, with left half in section
  - (ii) View from above.



Parts list

Part No.	Name	Matl	Qty
1	Body	CI	1
2	Gland	Brass	1
3	Bush	Brass	1
4	Stud	MS	2
5	Nut, M12	MS	2

Stuffing box

\*\*\*END\*\*\*